

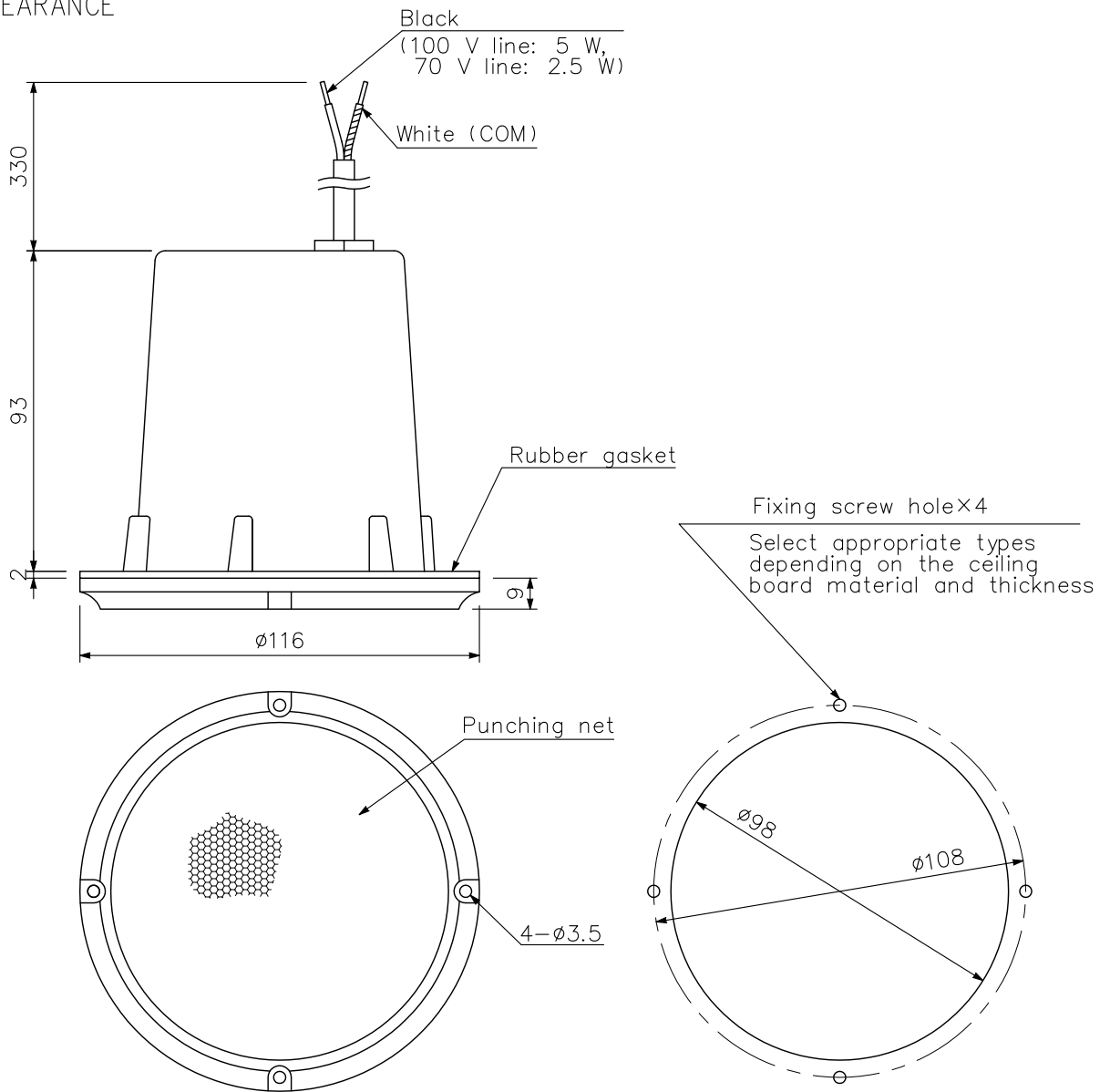
DESCRIPTION

Full-range 8 cm, 2 kΩ/5 W speaker with sealed rear chamber, and high-molecular substance speaker vibration section to prevent floating dust particles from contaminating medical, chemical, or IC/photo film production.

SPECIFICATIONS

Rated Power	5 W
Rated Impedance	100 V line: 2 kΩ (5 W), 70 V line: 2 kΩ (2.5 W)
Sensitivity	87 dB (1 W, 1 m)
Frequency Response	150 Hz - 20 kHz
Enclosure	Completely sealed type
Speaker Component	8 cm cone-type (vibration section : high molecular substance)
Operating Temperature	-20 °C to +55 °C
Dust Particle Prevention	No dust particle is produced by the method set out in JIS B-9926.
Finish	Panel : Alloy-coated ABS resin Enclosure : ABS resin, off-white Punching net : Stainless steel Exposed fixing screw : Stainless steel
Dimensions	ø116 X 110 (D) mm
Weight	620 g
Dimensions for Fixing Holes	ø98 mm
Accessory	Fixing gasket *1, Ceiling mounting screws (Material:Stainless steel) *4

APPEARANCE



UNIT:mm SCALE:1/2

Dimension diagram for fixing holes